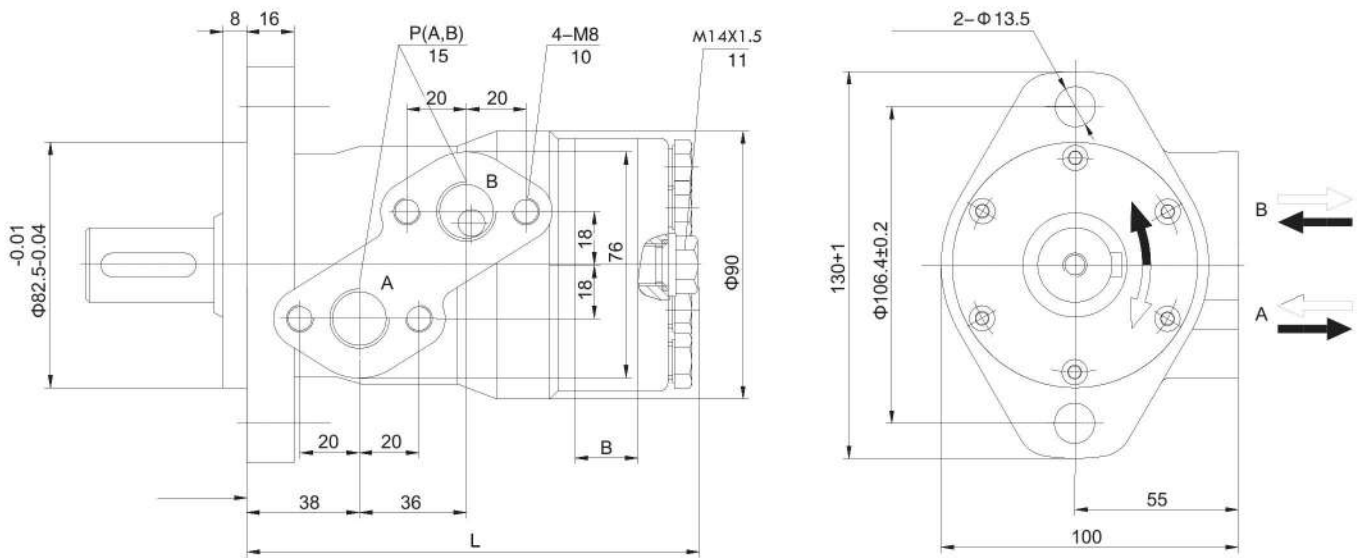




TECHNICAL DATA

Product	Displacement	Max. Flow	Pressure
	cm ³	l/min	bar
BMP050C25AG	50	40	140
BMP080C25AG	80	60	140
BMP100C25AG	100	60	140
BMP125C25AG	125	60	140
BMP160C25AG	160	60	140
BMP200C25AG	200	60	140
BMP250C25AG	250	60	110
BMP315C25AG	315	60	90
BMP400C25AG	400	60	70



Product	L	B
BMP050C25AG	141	7
BMP080C25AG	145	11
BMP100C25AG	147	13
BMP125C25AG	150	16
BMP160C25AG	155	21
BMP200C25AG	160	26
BMP250C25AG	166	32
BMP315C25AG	176	42
BMP400C25AG	186	52

